

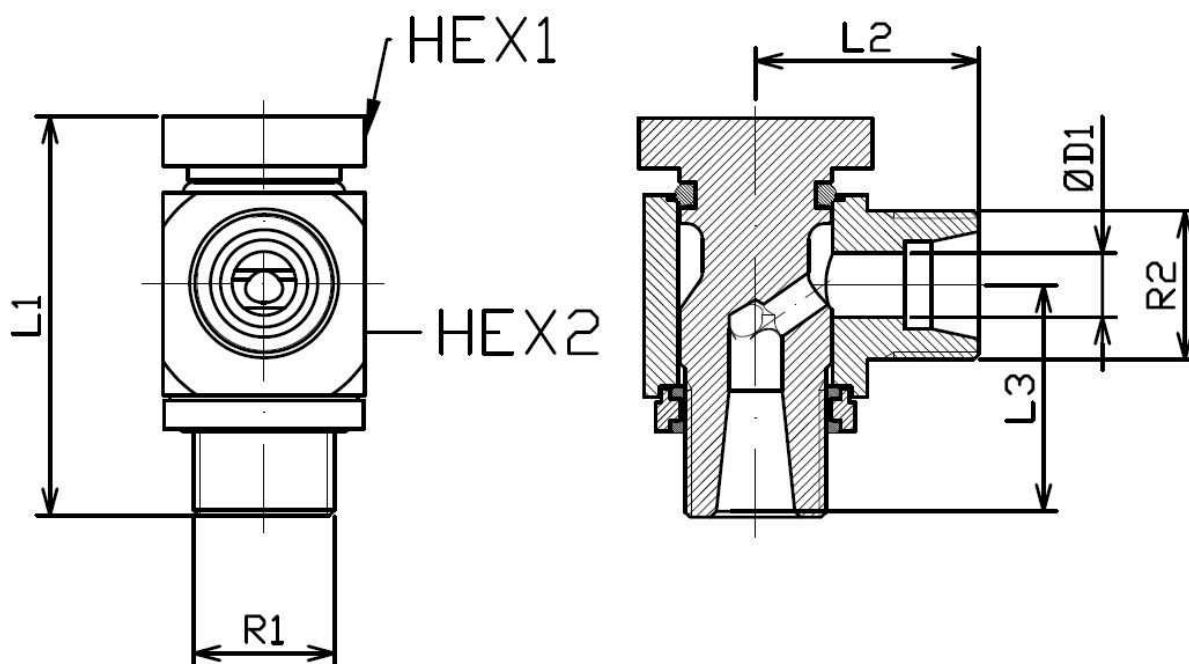
Racores DIN 2353

Orientables

Racor en codo orientable sin estrangulación rosca BSP



1/1



Artículo	ØD1	Serie	R1	R2	Presión de trabajo (bar)	L1	L2	L3	HEX 1	HEX 2
Z WSVL 6 R 1/8	6	L	1/8" BSP	M12x1,5	315	31.5	12	18.5	17	17
Z WSVL 6 R 1/4	6	L	1/4" BSP							
Z WSVL 8 R 1/4	8	L	1/4" BSP	M14x1,5	315	42	14.5	27	19	22
Z WSVL 10 R 1/4	10	L	1/4" BSP	M16x1,5	315	41.6	15.5	26.6	19	22
Z WSVL 12 R 3/8	12	L	3/8" BSP	M18x1,5	315	47	18	28.5	24	27
Z WSVL 15 R 1/2	15	L	1/2" BSP	M22x1,5	315	58	21.5	33.5	27	32
Z WSVL 18 R 1/2	18	L	1/2" BSP	M26x1,5	315	60	21.8	35.5	27	32
Z WSVL 22 R 3/4	22	L	3/4" BSP	M30x2	160	68	27.5	40	36	41
Z WSVL 28 R 1	28	L	1" BSP	M36x2	160	82	32	48.5	46	50
Z WSVL 35 R 1 1/4	35	L	1"1/4 BSP	M45x2	160	95	36	55.5	50	60
Z WSVL 42 R 1 1/2	42	L	1"1/2 BSP	M52x2	160	96	40.5	62.5	60	70
Z WSVS 6 R 1/4	6	S	1/4" BSP	M14x1,5	400	42	16.5	27	19	22
Z WSVS 8 R 1/4	8	S	1/4" BSP	M16x1,5	400	42	16.5	27	19	22
Z WSVS 10 R 3/8	10	S	3/8" BSP	M18x1,5	400	47.5	18.5	28.5	24	27
Z WSVS 12 R 3/8	12	S	3/8" BSP	M20x1,5	400	47	18.5	28.5	24	27
Z WSVS 14 R 1/2	14	S	1/2" BSP	M22x1,5	400	58	22.5	33.5	27	32
Z WSVS 16 R 1/2	16	S	1/2" BSP	M24x1,5	400	60	22	35.5	27	32
Z WSVS 20 R 3/4	20	S	3/4" BSP	M30x2	250	68	26.5	40	36	41
Z WSVS 25 R 1	25	S	1" BSP	M36x2	250	82	31.5	49.5	46	50
Z WSVS 30 R 1 1/4	30	S	1"1/4 BSP	M42x2	250	95	37	55.5	55	60
Z WSVS 38 R 1 1/2	38	S	1"1/2 BSP	M52x2	250	96	41.5	62.5	60	70